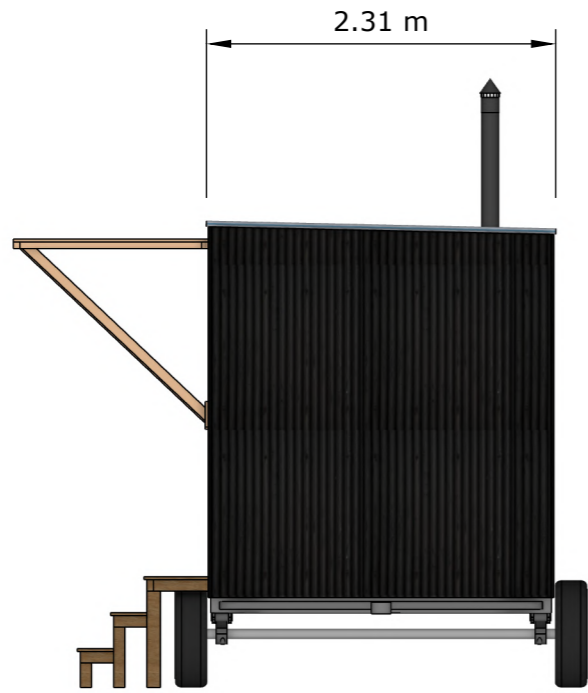


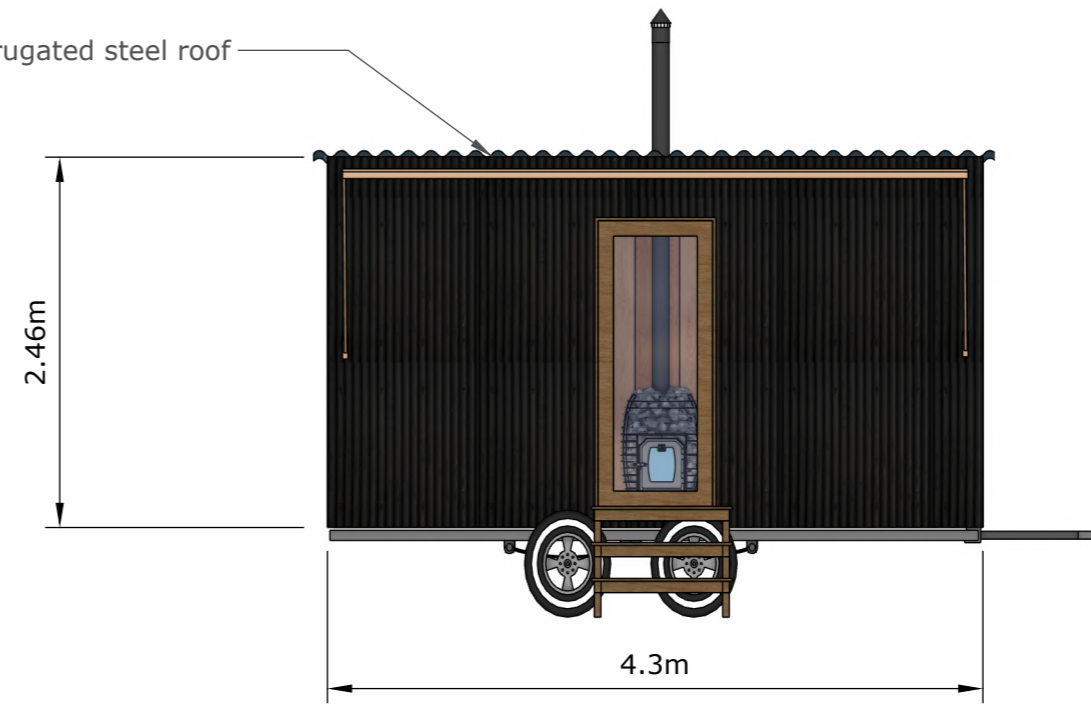
Corrugated steel cladding on exterior walls

Scale 1:50 at A3

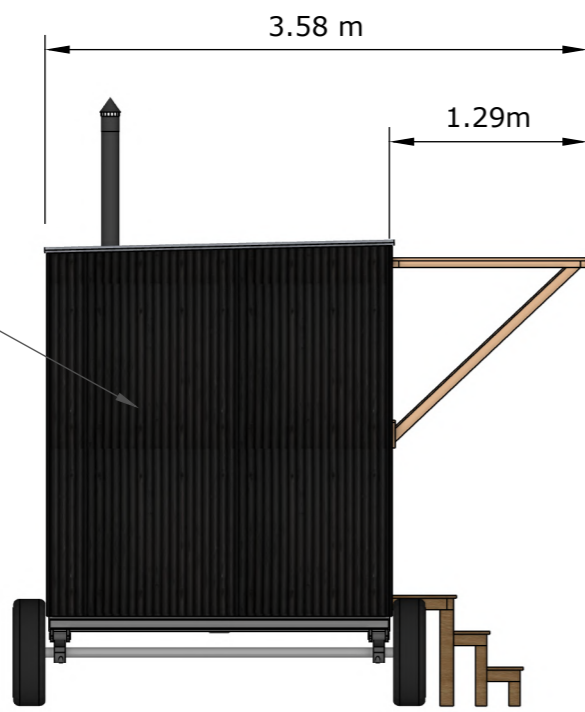
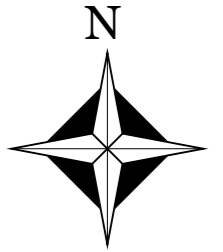


Typical towbar end elevation

Galvanised corrugated steel roof

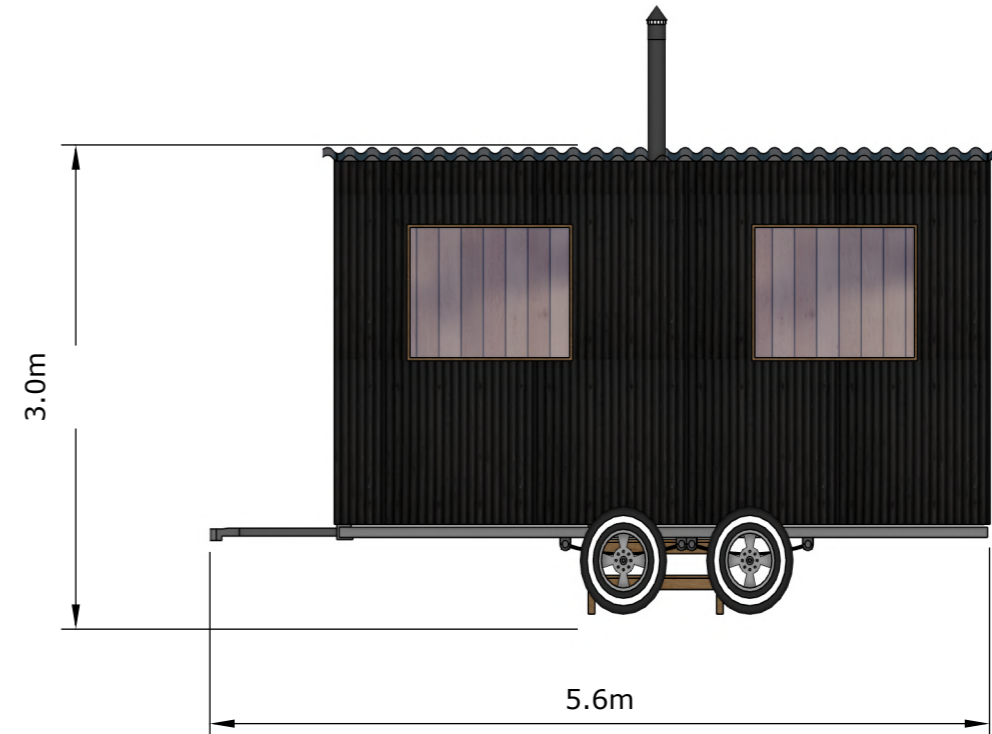


Typical door side elevation

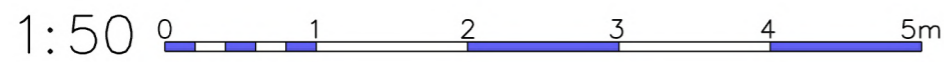


Typical back elevation

Black corrugated steel cladding



Typical window side elevation



Scale 1:50 at A3