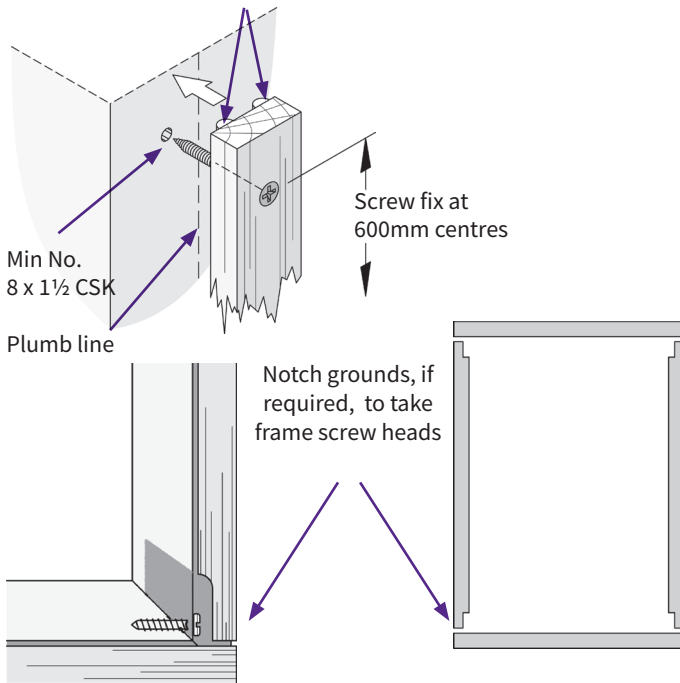


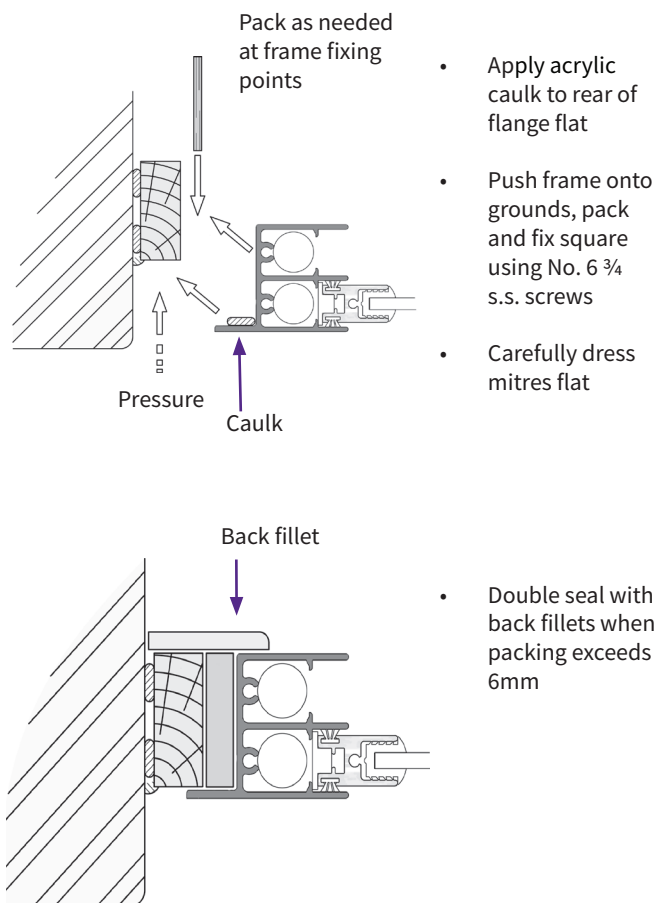
This is a typical fixing detail for Series 20 slimline vertical sliding units

1. TIMBER GROUNDS

Apply generous joint of acrylic caulk to ensure seal



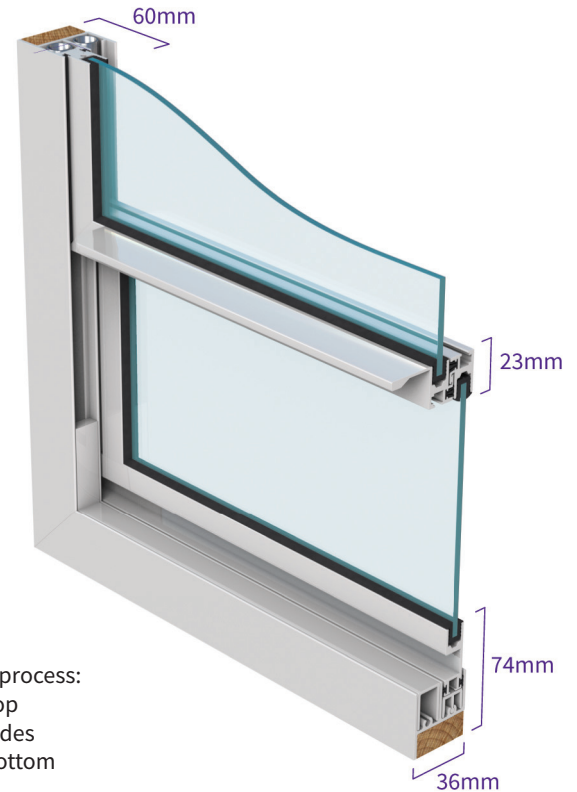
2. ALUMINIUM FRAME



- Apply acrylic caulk to rear of flange flat
- Push frame onto grounds, pack and fix square using No. 6 3/4 s.s. screws
- Carefully dress mitre flat
- Double seal with back fillets when packing exceeds 6mm

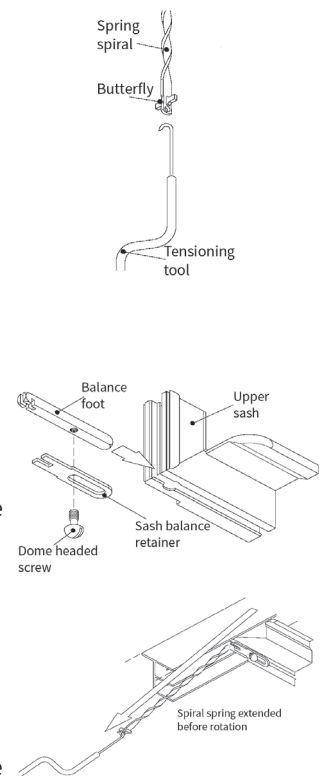
Install process:

1. Top
2. Sides
3. Bottom



3. VERTICAL SLIDING SASH ADJUSTMENT

Balance adjustment: The spring balances are factory adjusted but in use the tension can change allowing the sash to creep up (over tension) or drop (under tension). Adjustment is carried out using a tensioning tool (available from Selectaglaze). Raise the sash to its highest point and support with a suitable prop. Release the screw on the sash balance retainer and slide it back. Hook the tensioning tool on to the spring spiral and pull down so that the 'butterfly' clears its locating slot in the balance foot. Turn the spiral clockwise to increase tension or anti-clockwise to decrease. It is likely that only half a turn will be necessary. The procedure is reversed to re-attach. The balance foot must be flush with the sash when reinstated to avoid any rubbing action on the frame. Check the operation of the sash and ensure that both supporting balances are adjusted to equal tension.



- Vacuum and clean running tracks
- Lubricate with silicone release spray as required
- Clean down frame and glass